



Ref no. JDPM33-002

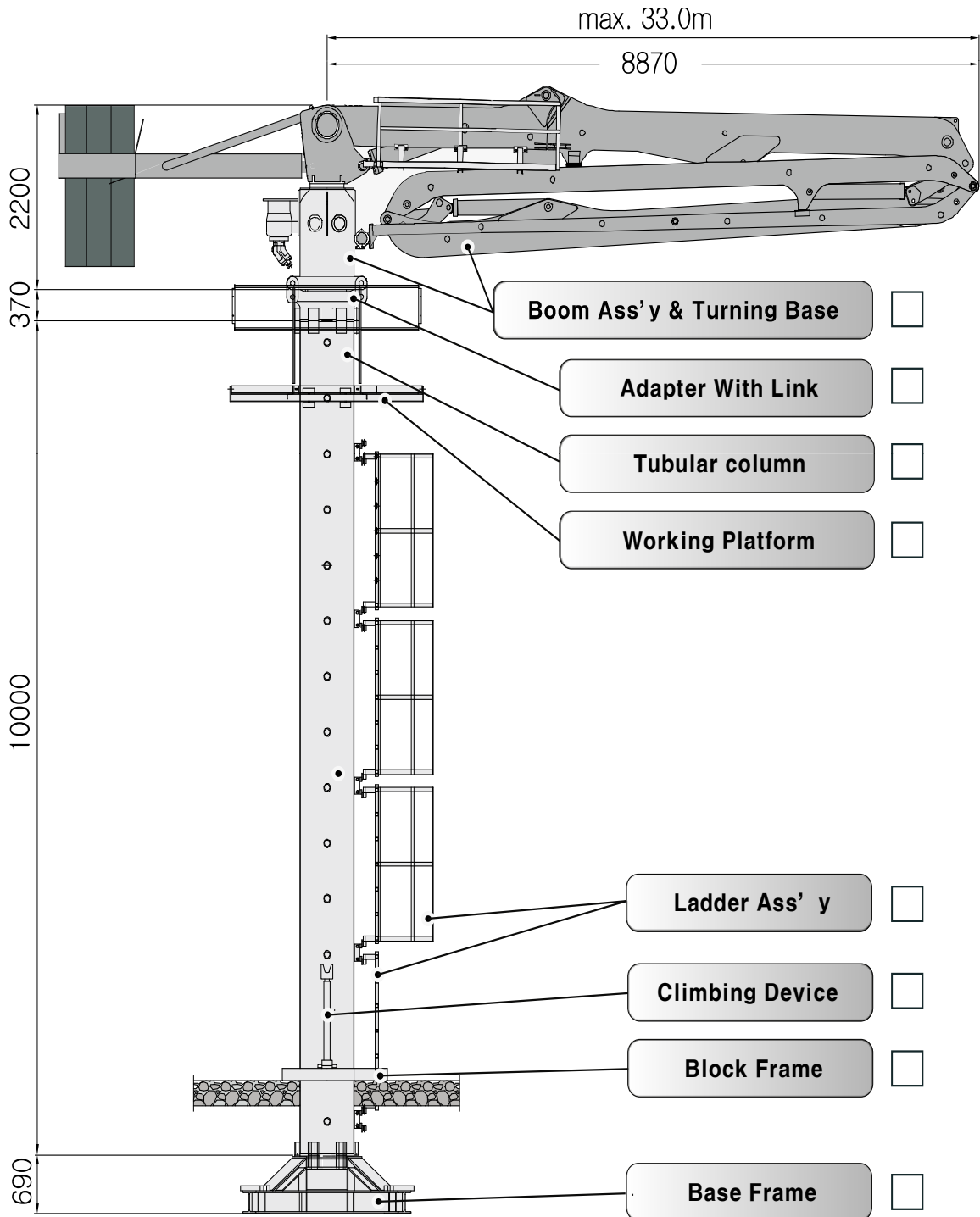
DATA SHEET

PLACING BOOM



JB-NM33H

Placing System on Tubular column Type
33M 4 Sections R & Fold designed Boom



* All technical data are theoretical values and Specification are subject to change without prior notice.
 * JUNJIN HEAVY INDUSTRY CO.LTD 33 OSEONRI GEUMWANGGUP EUMSEONGGUN CHUNBUK, KOREA WWW.JUNJIN.COM



Ref no. JDPM33-002

DATA SHEET

PLACING BOOM



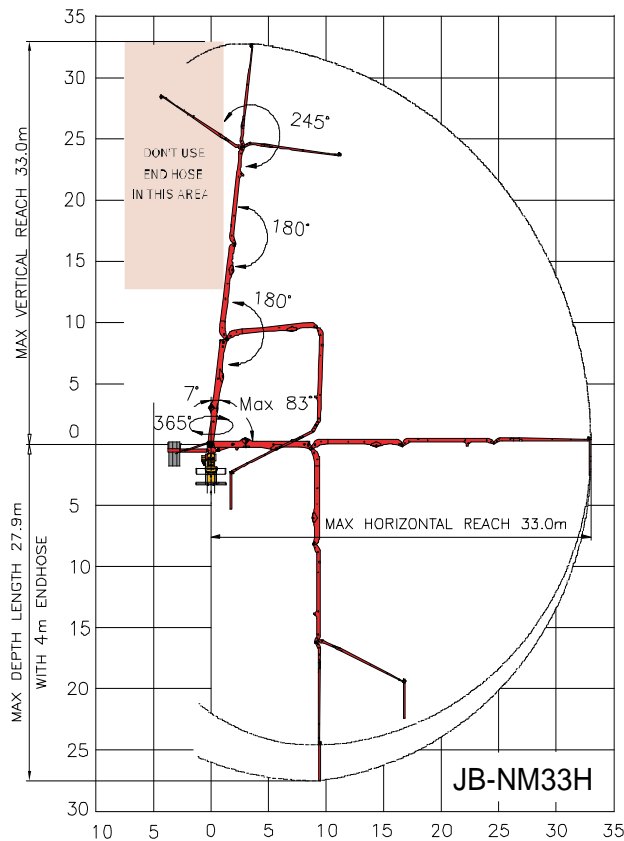
JB-NM33H

Placing System on Tubular column Type
33M 4 Sections R & Fold designed Boom

■ Boom Specification / Technical Specification

Boom Design		R & Fold	Boom Articulation	1st Section	-2°~83°
Horizontal Reach		33.0 m		2nd Section	180°
Vertical Reach		33.0 m		3rd Section	180°
Reach Depth		27.9 m		4th Section	245°
Boom Length	1st Section	8.7 m	Rotation		365°
	2nd Section	7.9 m	Delivery Line		DN 125 mm(5")
	3rd Section	8.0 m	Electric Power		AC380V / 60HZ
	4th Section	8.4 m	Control Systems		Radio-Cable-Manual
End Hose Length		4.0 m	Electric Motor		15KW

■ Working Diagram



* All technical data are theoretical values and Specification are subject to change without prior notice.

* JUNJIN HEAVY INDUSTRY CO.LTD 33 OSEONRI GEUMWANGUEP EUMSEONGGUN CHUNBUK, KOREA WWW.JUNJIN.COM



Ref no. JDPM33-002

DATA SHEET

PLACING BOOM

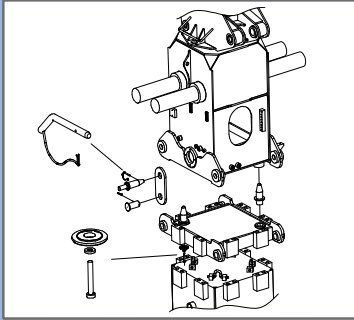


JB-NM33H

Placing System on Tubular column Type
33M 4 Sections R & Fold designed Boom

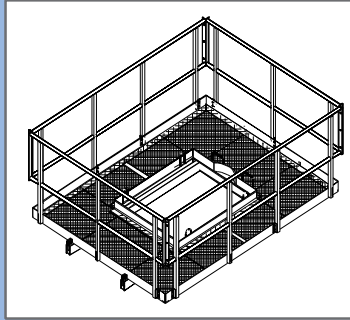
Standard delivery Scope

Turning Base & Adapter



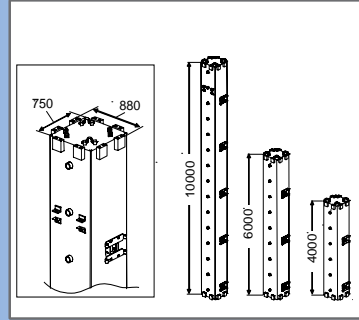
- Turing Base:1Set
- Adapter:1Set

Working Platform



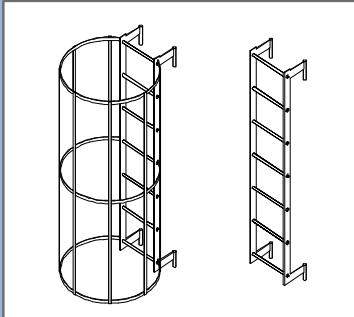
- Safety platform : 1Set

Tubular Column



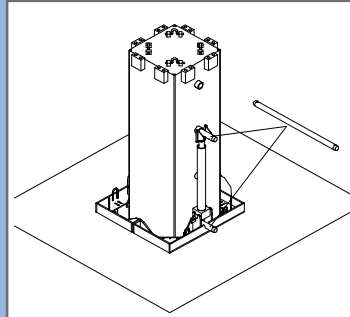
- 10m Tubular Column:2EA
- 4m,6m Tubular Column:options

Ladder



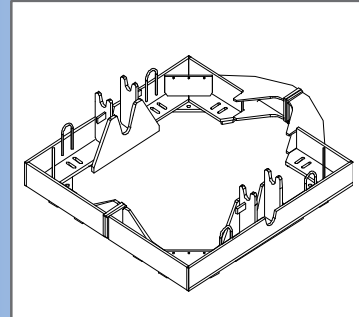
- Ladder with rear protection:3EA
- Ladder without protection:1EA

Climbing Device



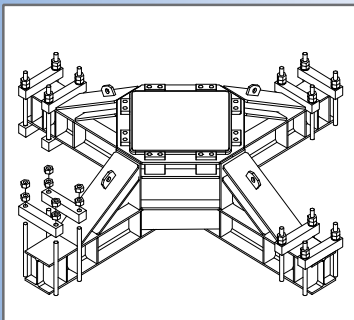
- Climbing Device:1Set

Block Frame



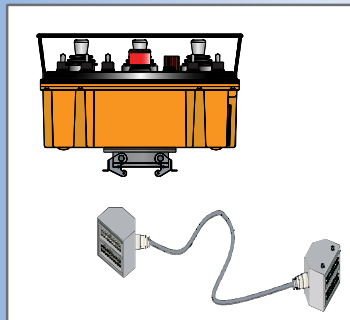
- Block Frame:3EA

Base Frame



- Base Frame:1EA

Remote Control



- Cable Remote Control:1Set
- wireless remote control(option)

* All technical data are theoretical values and Specification are subject to change without prior notice.

* JUNJIN HEAVY INDUSTRY CO.LTD 33 OSEONRI GEUMWANGUEP EUMSEONGGUN CHUNBUK, KOREA WWW.JUNJIN.COM



Ref no. JDPM33-002

DATA SHEET

PLACING BOOM

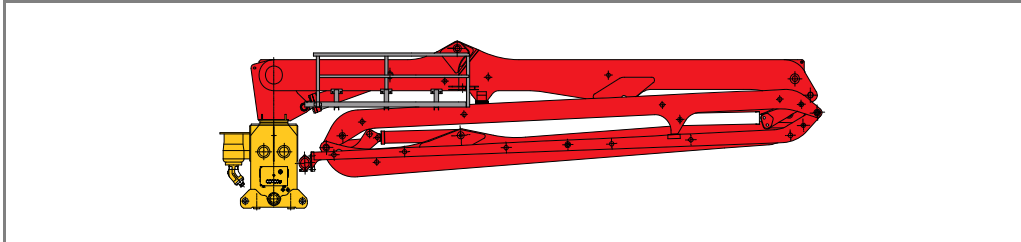


JB-NM33H

Placing System on Tubular column Type
33M 4 Sections R & Fold designed Boom

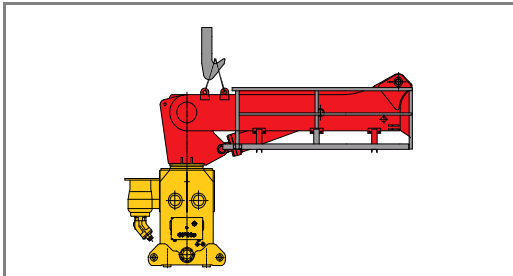
Standard delivery Scope

▷ Boom ass'y & Turning base



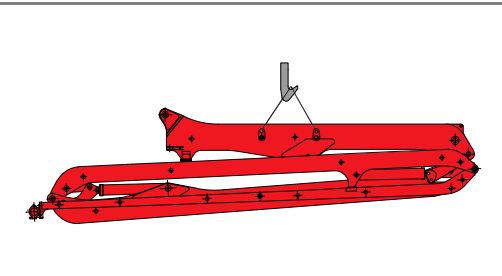
- Weight: 8,530 kg

▷ 1ST Boom part1



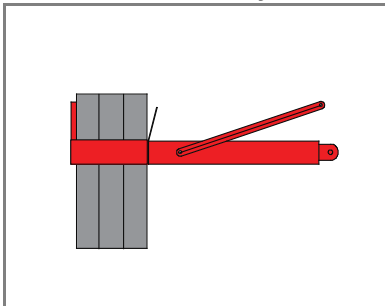
- Weight : 3,590 kg

▷ 2ND Boom part2



- Weight : 4940 kg

▷ Counter Jib Ass'y



- Weight
Ballast Bearer = 500Kg
Ballast Weight = 3X2100Kg

* All technical data are theoretical values and Specification are subject to change without prior notice.

* JUNJIN HEAVY INDUSTRY CO.LTD 33 OSEONRI GEUMWANGUEP EUMSEONGGUN CHUNBUK, KOREA WWW.JUNJIN.COM



Ref no. JDPM33-002

DATA SHEET

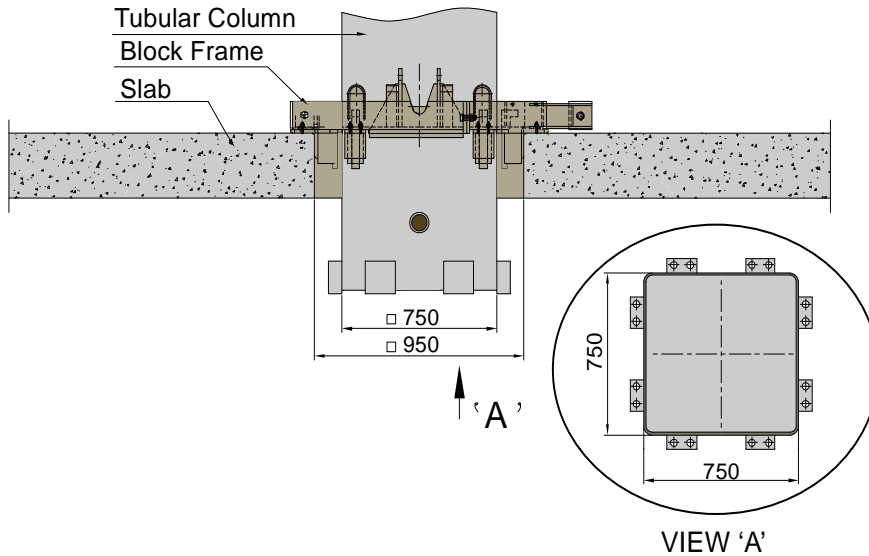
PLACING BOOM



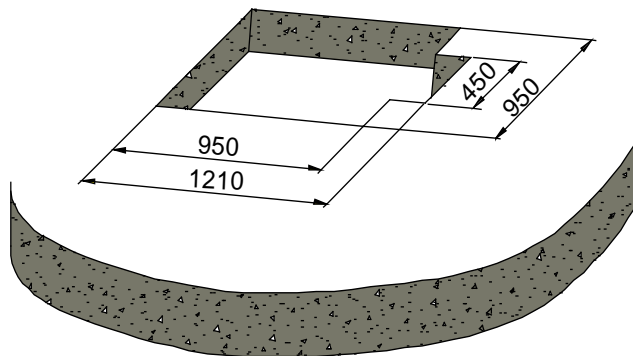
JB-NM33H

Placing System on Tubular column Type
33M 4 Sections R & Fold designed Boom

How to support on Slab



Slab Open Hole Size



* All technical data are theoretical values and Specification are subject to change without prior notice.

* JUNJIN HEAVY INDUSTRY CO.LTD 33 OSEONRI GEUMWANGUEP EUMSEONGGUN CHUNBUK, KOREA WWW.JUNJIN.COM



Ref no. JDPM33-002

DATA SHEET

PLACING BOOM



JB-NM33H

Placing System on Tubular column Type
33M 4 Sections R & Fold designed Boom

WEIGHT LIST

NO.	NAME	EA/SET	KG/EA	TOTAL KG
1	BOOM ASS'Y	1	5789	5789
2	COUNTER JIB ASS'Y WEIGHT			6800
1)	BALLAST BEARER	1	500	500
2)	BALLAST WEIGHT	3	2100	6300
3	TURNING COLUMN	1	792	792
4	TURNING BASE ASS'Y	1	1949	1949
5	TUBULAR COLUMN (10m)	2	3360	6720
6	PLATFORM ASS'Y	1	391.8	391.8
1)	PLATFORM	1	285	
2)	SUPPORT FOR PLATFORM	2	19.6	
3)	HANDLE RAIL (1)	2	18.3	
4)	HANDLE RAIL (2)	2	15.5	
7	LADDER ELEMENT SET	1	239	239
1)	LADDER (1)	3	44	
2)	LADDER (2)	1	27	
3)	LADDER BRACKET	10	8	
8	BLOCK FRAME	3	335	1005
9	BASE FRAME	1	1420	1420
10	PIN ASS'Y FOR PLACING BOOM	1	45	45
1)	PIN (1) (LINK)	4	3.5	
2)	PIN (2) (LINK)	4	4.5	
3)	PIN (3) (ADAPTER)	2	4.5	
4)	CLIP (LINK)	4	0.5	
5)	COVER (ADAPTER)	2	1	
11	PIN FOR LIFTING CYL	3	45	123
12	PIN FOR LADDER	14	1.5	21
13	LIFTING CYL	2	70	140
14	LINK & ADAPTER	1	330	330
1)	ADAPTER FOR MAST	1	254	
2)	LINK	8	9.5	
				25,765

* All technical data are theoretical values and Specification are subject to change without prior notice.

* JUNJIN HEAVY INDUSTRY CO.LTD 33 OSEONRI GEUMWANGUEUP EUMSEONGGUN CHUNBUK, KOREA WWW.JUNJIN.COM