

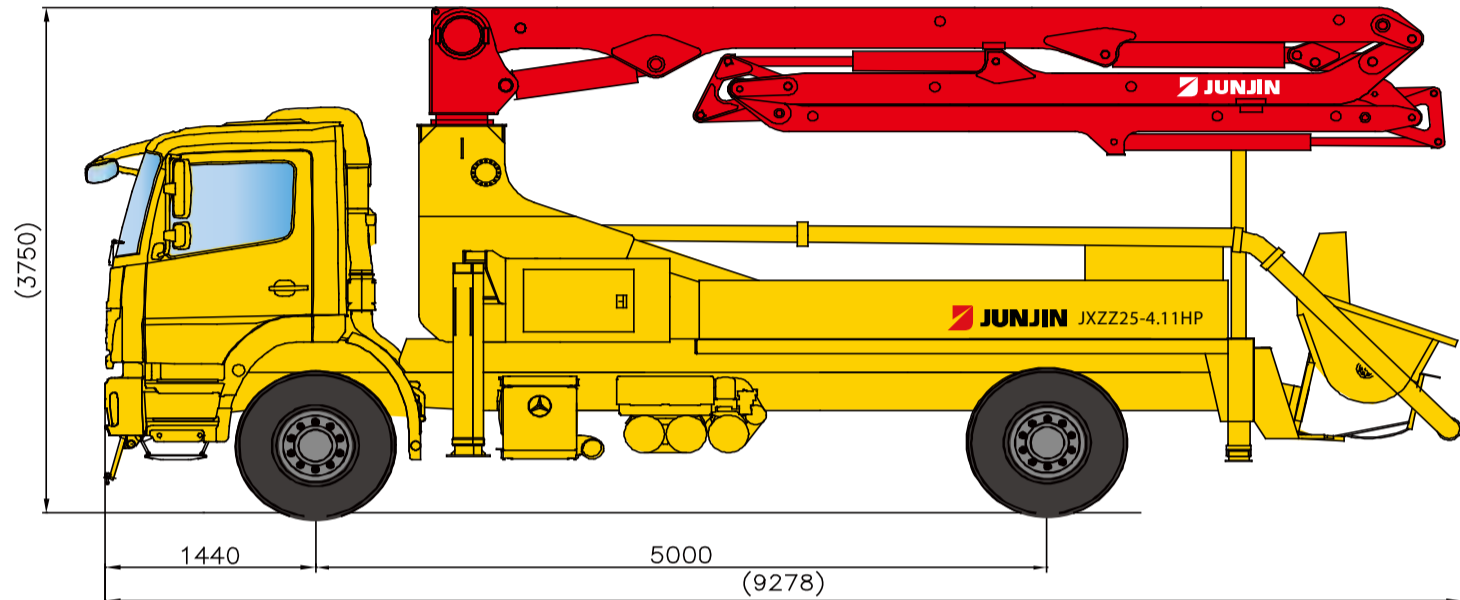
# JXZZ25-4.11HP

## DATA SHEET

TRUCK MOUNTED BOOM PUMP



### 25M Truck Mounted Boom Pump with 110m<sup>3</sup>/h Output ZZ Type Boom Design



\* Remark : Standard specification with MB1829. Dimension depends on truck specification.

### TECHNICAL SPECIFICATION

GENERAL SPECIFICATION		PUMP SPECIFICATION			BOOM SPECIFICATION	
Delivery Line	DN 125 / 5"	Output	Rod	109 m <sup>3</sup> /h	Number of booms	4 Sections
Radio remote	Proportional control		Piston	73 m <sup>3</sup> /h	Folding Type	ZZ
Wear plate / Ring	Tungsten Carbide	Pressure	Rod	54 Bar	Vertical Height	24.3 m
Water Pump	20 Bar		Piston	80 Bar	Horizontal Reach	20.5 m
Water Tank	470 Liter	Delivery Cylinder (Hard-chromed)	Φ230 mm		Unfolding height	5.1 m
Auto Lubrication	Hyd. grease, Hopper	Stroke Length	1400 mm		End-Hose Length	3.0 m
		S-Valve	8" X 7"		1st Section	6.5 m
		Main Oil Pump	Rexroth Hydromatic		2nd Section	4.6 m
		System Pressure	350 Bar		3rd Section	4.6 m
		Switching Type	Hydraulic		4th Section	4.8 m
		Hopper Capacity	600 Liter			

\* All technical data are theoretical values and Specification are subject to change without prior notice.  
 \* www.junjin.com

# JXZZ25-4.11HP

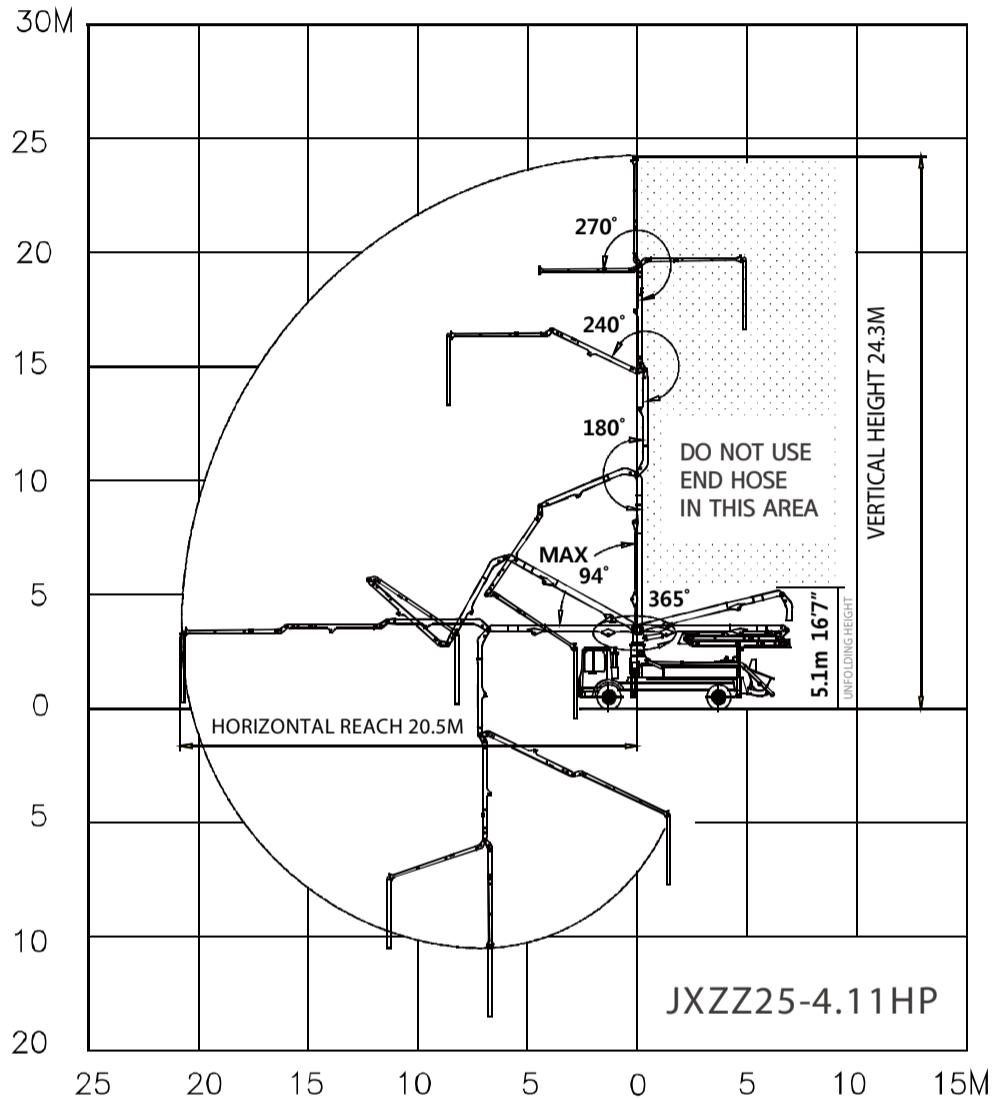
## DATA SHEET

TRUCK MOUNTED BOOM PUMP

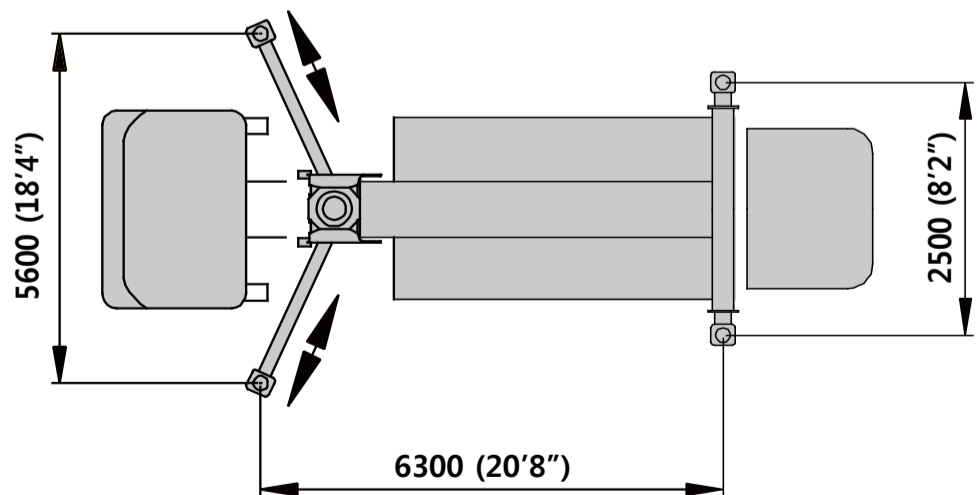


### 25M Truck Mounted Boom Pump with 110m<sup>3</sup>/h Output ZZ Type Boom Design

#### BOOM WORKING DIAGRAM



#### OUTRIGGER SPAN



\* All technical data are theoretical values and Specification are subject to change without prior notice.  
 \* www.junjin.com